



MODEL FEATURES

- Supply air to over 12,000 CFM in static pressure capabilities to 2" w.g.
- Heavy-galvanized construction
- Belt drives permit easy performance adjustments when needed
- Forward curved centrifugal blower for efficient air flow at low sound levels
- Filters are washable and reusable
- AMCA Air and Sound Licensed
- cULus 705 Listed

MODEL OVERVIEW

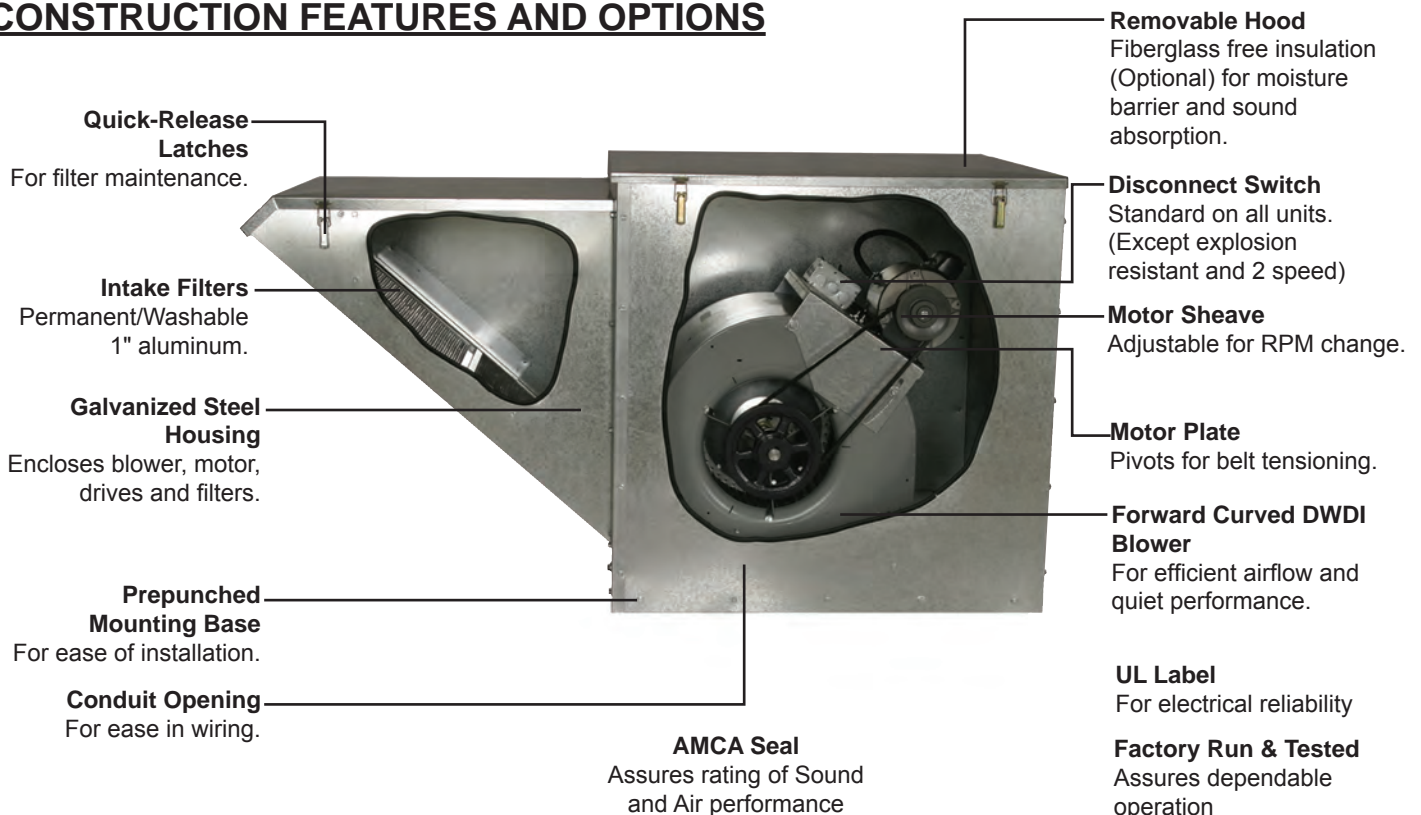
Model KSF fans are roof curb or curb cap mounted filtered supply fans rated from 375 to over 12,000 CFM, with static pressure capabilities to 2". They are specifically designed for filtered make-up air in kitchen hood applications. Model KSF's rugged design with heavy-gauge galvanized construction provides maximum weather protection, long life and the utmost in performance efficiency. The forward curved centrifugal blower provides efficient air flow at low sound levels with static pressure capabilities to handle ducted air systems or hoods within a building. The filters are washable and are reusable to reduce maintenance costs. Quick release hood latches make routine cleaning and maintenance fast and easy.

Model KSF is available in our Quickship program. Sizes 9-18 are available for next day or 3-day shipping from stock.



The primary use of these fans is for filtered make-up air in kitchen hood applications but may also be specified for make-up air in commercial and industrial applications such as manufacturing and assembly areas.

CONSTRUCTION FEATURES AND OPTIONS



Industry best 5 year fan housing warranty, 1 year motor warranty

All specifications are subject to change without notice unless approved in submittal by S&P USA.



CONSTRUCTION/SPECIFICATION CHECKLIST

Blower

- Statically and dynamically balanced forward curved wheel.
- 12-gauge galvanized steel blower plate/discharge opening.
- 18-gauge galvanized steel housing.
- Prepunched mounting holes.
- Conduit opening for wiring from below unit.

Motors

- 1 year warranty.
- Brands are nationally recognized and locally serviced.
- Single speed open drip-proof are standard.
- Explosion-proof, totally enclosed and two-speed motors are available.
- All motors are rated for continuous duty.
- 182T and larger motors shipped unmounted for field installation.
- Disconnect switch standard with single speed drip-proof and totally enclosed motors.

Hood

- Heavy-gauge galvanized steel hood.
- Quick-release latches for removal from housing.
- 1 inch washable aluminum mesh filters.

Drives

- Adjustable motor pulleys are standard.
- Sized for minimum 150% of drive horsepower.
- Machined cast iron adjustable motor pulleys.
- Pivoting motor plate for belt tensioning.
- Nonstatic oil resistant V-belts.

Certifications

- AMCA Air and Sound Licensed.
- cULus Standard 705 Listed Power Roof Ventilator label assures electrical reliability.
- cULus label must be specified when needed.

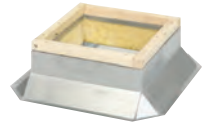


OPTIONS/ACCESSORIES

Insulated Hood: High performance and ecologically friendly fiberglass free insulation only.

Intake Extension: Extensions are available for all size KSF fans to provide NFPA required clearance from the exhaust fan on factory supplied common curbs. Extensions are made from heavy-gauge galvanized steel and require equipment supports on the intake end.

Roof Curb: Prefabricated heavy-gauge galvanized steel, welded construction, 12" high with 1-1/2" wood nailer. Options include single and double pitch construction and additional curb heights.



Motor Operated Damper: Motor operated aluminum damper for positive closure against backdraft (counter balanced).



Automatic Damper: Automatic aluminum damper for ease in installation and effective backdraft protection (counter balanced).

Duct Adapter: For ease in connecting discharge duct to fan outlet.

Common Curb: Designed to allow both the supply fan and exhaust fan to be mounted on the same curb. This curb requires only one roof opening and speeds installation time.

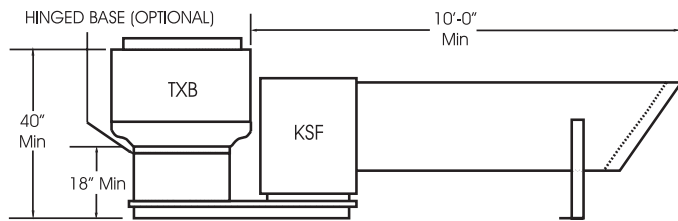
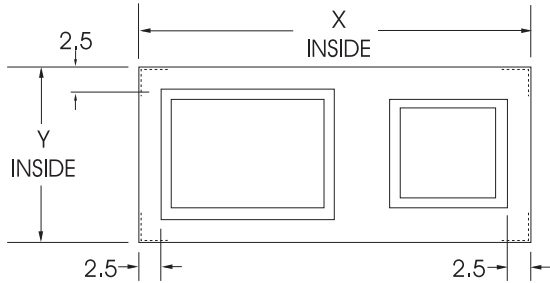
Special Coatings: For protective and decorative purposes. Available coatings include: Epoxy, Synthetic Resin, and Heresite (air-dried phenolic). Contact your Soler & Palau representative or the factory for more information on available coatings and colors.



NFPA96 INSTALLATION AND COMMON CURB ADAPTOR

Typical Installation

NFPA96 requires a 10 foot minimum distance between the exhaust fan and supply fan intake. The intake extension (optional) provides this clearance. Also required are hinged curb caps on the exhaust fan and some areas require a vented curb extension.



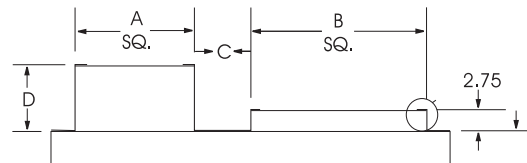
NFPA96 Alternate Installation

Where space limitations absolutely prevent a 10 foot separation from the air intake, a vertical separation may be permitted with the exhaust outlet being a minimum of 3 feet above any air intake located within 10 feet horizontally.

Important: Always check with the authority having jurisdiction to verify local codes and requirements.

Common Curb and Adaptor

The common curb and adaptor allows for mounting both the exhaust fan and supply fans onto one roof opening. Follow the chart below for sizing and ordering common curbs and adaptors.



Common Curb Adaptor

MODEL		STOCK NO. 8" HIGH COMMON CURB	COMMON CURB L x W OD	STOCK NO. CURB CAP ADAPTOR	CURB CAP ADAPTOR X x Y OD	CURB CAP OPENING	
TXB	KSF					EXHAUST FAN OUTLET A Sq	SUPPLY FAN OUTLET B Sq
8/10	9	2302.BC10X9	55-3/4 x 27-1/2	2302.BA10X9	56-3/4 x 29	14-3/4	23-3/4
12	9	2302.BC12X9	59-1/4 x 27-1/2	2302.BA12X9	60-3/4 x 29	22-1/4	23-3/4
15/16	10	2302.BC15X10	65 x 31-1/4	2302.BA15X10	66-1/2 x 32-3/4	22-1/4	27-3/4
15/16	12	2302.BC15X12	69 x 35-1/4	2302.BA15X12	70-1/4 x 36-3/4	22-1/4	31-3/4
15/16	15	2302.BC15X15	69 x 35-1/4	2302.BA15X15	70-1/4 x 36-3/4	22-1/4	31-3/4
18	12	2302.BC18X12/15	74-1/2 x 35-1/4	2302.BA18X12	76 x 36-3/4	27-3/4	31-3/4
18	15	2302.BC18X12/15	74-1/2 x 35-1/4	2302.BA18X15	76 x 36-3/4	27-3/4	31-3/4
20	12	2302.BC20X12	74-1/2 x 35-1/4	2302.BA20X12	76 x 36-3/4	27-3/4	31-3/4
20	15	2302.BC20X15	74-1/2 x 35-1/4	2302.BA20X15	76 x 36-3/4	27-3/4	31-3/4
24	15	2302.BC24X15	82-1/2 x 38-1/2	2302.BA24X15	84 x 40	33-3/4	31-3/4
24	18	2302.BC24X18	86-1/2 x 39-1/4	2302.BA24X18	88 x 40-3/4	33-3/4	35-3/4
30	18	2302.BC30X18	94-1/2 x 45-3/4	2302.BA30X18	96 x 47-1/4	40-3/4	35-3/4
30	20	2302.BC30X20	108-1/2 x 54-1/4	2302.BA30X20	110 x 55-3/4	40-3/4	50-1/4
36	20	2302.BC36X20	113-1/2 x 54-1/4	2302.BA36X20	115 x 55-3/4	40-3/4	50-1/4



PERFORMANCE/DIMENSIONS

KSF9

MODEL KSF	CFM	OV		Static Pressure in Inches w.g.											
				1/8	1/4	3/8	1/2	5/8	3/4	1	1 1/4	1 1/2	2		
9	375	426	RPM	486	-	-	-	-	-	-	-	-	-	-	-
			BHP	0.03	-	-	-	-	-	-	-	-	-	-	-
			Sones	4.4	-	-	-	-	-	-	-	-	-	-	-
	475	540	RPM	502	-	-	-	-	-	-	-	-	-	-	-
			BHP	0.04	-	-	-	-	-	-	-	-	-	-	-
			Sones	4.9	-	-	-	-	-	-	-	-	-	-	-
	575	653	RPM	526	694	-	-	-	-	-	-	-	-	-	-
			BHP	0.05	0.09	-	-	-	-	-	-	-	-	-	-
			Sones	5.7	9.9	-	-	-	-	-	-	-	-	-	-
	675	767	RPM	558	711	846	-	-	-	-	-	-	-	-	-
			BHP	0.07	0.11	0.17	-	-	-	-	-	-	-	-	-
			Sones	6.8	10.4	13.9	-	-	-	-	-	-	-	-	-
	775	881	RPM	597	733	861	-	-	-	-	-	-	-	-	-
			BHP	0.09	0.13	0.19	-	-	-	-	-	-	-	-	-
			Sones	8.1	11.2	14.5	-	-	-	-	-	-	-	-	-
	875	994	RPM	640	762	880	-	-	-	-	-	-	-	-	-
			BHP	0.11	0.16	0.22	-	-	-	-	-	-	-	-	-
			Sones	9.8	12.2	15.3	-	-	-	-	-	-	-	-	-
	975	1108	RPM	688	796	904	1009	-	-	-	-	-	-	-	-
			BHP	0.15	0.19	0.25	0.32	-	-	-	-	-	-	-	-
			Sones	11.3	13.3	16.3	19.5	-	-	-	-	-	-	-	-
	1075	1222	RPM	737	835	934	1031	1125	1214	-	-	-	-	-	
			BHP	0.19	0.24	0.29	0.36	0.44	0.52	-	-	-	-	-	
			Sones	12.8	15.1	17.6	21	24	28	-	-	-	-	-	
	1175	1335	RPM	789	878	968	1058	1146	1232	-	-	-	-	-	
			BHP	0.23	0.28	0.35	0.41	0.49	0.58	-	-	-	-	-	
			Sones	14.6	16.9	19.1	22	25	29	-	-	-	-	-	
	1275	1449	RPM	842	923	1006	1089	1172	1253	1407	-	-	-	-	
			BHP	0.29	0.34	0.4	0.48	0.55	0.64	0.83	-	-	-	-	
			Sones	16.5	18.7	21	24	27	30	36	-	-	-	-	
1375	1563	RPM	895	971	1047	1124	1202	1278	1426	1565	-	-	-		
		BHP	0.35	0.41	0.47	0.55	0.62	0.71	0.9	1.12	-	-	-		
		Sones	18.6	21	23	26	29	32	37	42	-	-	-		
1475	1676	RPM	950	1020	1091	1163	1235	1307	1447	1582	1710	-			
		BHP	0.43	0.49	0.55	0.63	0.71	0.79	0.99	1.2	1.44	-			
		Sones	21	23	25	28	31	34	38	46	48	-			
1575	1790	RPM	1005	1071	1137	1204	1271	1339	1472	1602	1726	1956			
		BHP	0.51	0.57	0.64	0.72	0.8	0.89	1.08	1.3	1.54	2.06			
		Sones	23	25	27	30	33	35	39	44	49	60			
1675	1903	RPM	1061	1122	1184	1247	1310	1374	1500	1624	1745	1970			
		BHP	0.61	0.67	0.74	0.82	0.9	0.99	1.19	1.41	1.65	2.18			
		Sones	26	28	30	33	35	37	41	46	50	61			
1775	2017	RPM	1118	1175	1233	1292	1352	1412	1531	1650	1766	1986			
		BHP	0.72	0.78	0.86	0.93	1.02	1.11	1.31	1.53	1.77	2.31			
		Sones	29	31	33	36	37	39	43	47	52	62			
1875	2131	RPM	1175	1229	1283	1339	1395	1452	1565	1678	1789	-			
		BHP	0.84	0.91	0.98	1.06	1.15	1.24	1.44	1.66	1.91	-			
		Sones	31	33	35	38	39	41	45	49	53	-			
1975	2244	RPM	1232	1283	1335	1387	1440	1494	1601	1709	1816	-			
		BHP	0.97	1.04	1.12	1.2	1.29	1.38	1.59	1.81	2.06	-			
		Sones	34	36	38	40	42	43	47	50	55	-			
2075	2358	RPM	1289	1337	1387	1437	1487	1538	1640	1742	1844	-			
		BHP	1.12	1.19	1.27	1.36	1.45	1.54	1.75	1.98	2.22	-			
		Sones	37	39	41	42	44	46	49	52	56	-			
2175	2472	RPM	1346	1393	1440	1487	1535	1583	1680	1778	-	-			
		BHP	1.28	1.36	1.44	1.53	1.62	1.72	1.93	2.16	-	-			
		Sones	40	41	43	44	46	48	51	54	-	-			
2275	2585	RPM	1404	1448	1493	1538	1584	1630	1723	-	-	-			
		BHP	1.46	1.54	1.62	1.71	1.81	1.91	2.12	-	-	-			
		Sones	43	44	45	47	48	50	54	-	-	-			
2375	2699	RPM	1462	1504	1547	1590	1634	1678	-	-	-	-			
		BHP	1.65	1.74	1.82	1.92	2.01	2.11	-	-	-	-			
		Sones	45	46	48	49	51	53	-	-	-	-			



S&P USA Ventilation Systems, LLC., Div. of Soler & Palau Ventilation Group, certifies that the Models KSF shown herein are licensed to bear the AMCA Seal. The ratings shown are based on test and procedures performed in accordance with AMCA Publication 211 and AMCA Publication 311 and comply with the requirement of the AMCA Certified Ratings Program.



Performance certified is for installation type B: free inlet, ducted outlet. Power rating (BHP) does not include transmission losses. Performance ratings do not include the effects of appurtenances (accessories). The sound ratings shown are loudness values in fan sones at a distance of 1.5 m (5 ft) in a hemispherical free field calculated per AMCA International Standard 301. Values shown are for installation type B: ducted outlet hemispherical sone levels. Ratings do not include the effect of duct end correction.



KSF10

MODEL KSF	CFM	OV		Static Pressure in Inches w.g.										
				1/8	1/4	3/8	1/2	5/8	3/4	1	1 1/4	1 1/2		
10	1050	981	RPM	533	-	-	-	-	-	-	-	-	-	-
			BHP	0.11	-	-	-	-	-	-	-	-	-	-
			Sones	7.4	-	-	-	-	-	-	-	-	-	-
	1150	1075	RPM	564	662	756	-	-	-	-	-	-	-	
			BHP	0.14	0.18	0.24	-	-	-	-	-	-	-	
			Sones	8.4	10.6	13.4	-	-	-	-	-	-	-	
	1250	1168	RPM	596	687	776	860	-	-	-	-	-	-	
			BHP	0.17	0.22	0.27	0.34	-	-	-	-	-	-	
			Sones	9.6	11.6	14.2	16.7	-	-	-	-	-	-	
	1350	1262	RPM	628	714	797	877	955	-	-	-	-	-	
			BHP	0.2	0.25	0.31	0.38	0.45	-	-	-	-	-	
			Sones	10.9	12.8	14.9	17.3	19.9	-	-	-	-	-	
	1450	1355	RPM	662	743	821	897	970	1042	-	-	-	-	
			BHP	0.24	0.3	0.36	0.42	0.5	0.58	-	-	-	-	
			Sones	12.4	13.9	15.9	18.1	21	23	-	-	-	-	
	1550	1449	RPM	697	773	847	918	989	1057	-	-	-	-	
			BHP	0.29	0.34	0.41	0.47	0.55	0.63	-	-	-	-	
			Sones	13.8	15.2	17.1	18.9	22	24	-	-	-	-	
	1650	1542	RPM	732	804	874	942	1009	1074	1200	-	-	-	
			BHP	0.34	0.4	0.46	0.53	0.61	0.69	0.87	-	-	-	
			Sones	15.3	16.6	18.1	19.9	22	25	30	-	-	-	
	1750	1636	RPM	767	836	903	967	1031	1093	1214	1330	-		
			BHP	0.4	0.46	0.53	0.6	0.67	0.76	0.94	1.14	-		
			Sones	16.7	17.8	19.4	21	23	26	31	35	-		
	1850	1729	RPM	803	869	932	994	1054	1114	1230	1342	1449		
			BHP	0.46	0.53	0.6	0.67	0.75	0.83	1.02	1.22	1.45		
			Sones	18.2	19.3	21	23	24	27	31	36	40		
	1950	1822	RPM	839	902	963	1022	1080	1137	1248	1356	1460		
			BHP	0.53	0.6	0.67	0.75	0.83	0.91	1.1	1.31	1.53		
			Sones	19.5	21	22	24	26	28	32	37	40		
	2050	1916	RPM	876	936	994	1051	1106	1161	1268	1372	1473		
			BHP	0.61	0.68	0.76	0.84	0.92	1	1.19	1.4	1.63		
			Sones	21	23	24	25	27	29	33	37	41		
	2150	2009	RPM	913	971	1026	1080	1134	1186	1289	1390	1488		
			BHP	0.7	0.77	0.85	0.93	1.01	1.1	1.29	1.51	1.73		
			Sones	23	24	25	27	28	30	34	38	42		
	2250	2103	RPM	950	1005	1059	1111	1162	1213	1312	1409	1504		
			BHP	0.79	0.87	0.95	1.03	1.12	1.21	1.41	1.62	1.85		
			Sones	24	26	27	28	30	32	35	39	42		
	2350	2196	RPM	987	1040	1092	1142	1192	1240	1336	1430	1522		
			BHP	0.9	0.98	1.06	1.15	1.23	1.33	1.53	1.74	1.97		
			Sones	26	27	28	30	32	33	36	40	43		
	2450	2290	RPM	1024	1076	1126	1175	1222	1269	1361	1452	1541		
			BHP	1.01	1.09	1.18	1.27	1.36	1.45	1.65	1.87	2.11		
			Sones	28	29	30	32	33	35	38	41	44		
	2550	2383	RPM	1062	1112	1160	1207	1253	1298	1388	1475	-		
			BHP	1.13	1.22	1.31	1.4	1.49	1.59	1.79	2.01	-		
			Sones	30	31	32	34	35	36	39	42	-		
	2650	2477	RPM	1099	1148	1195	1240	1284	1328	1415	-	-		
			BHP	1.26	1.35	1.45	1.54	1.63	1.73	1.94	-	-		
			Sones	32	33	34	35	37	38	40	-	-		
	2750	2570	RPM	1137	1184	1229	1273	1316	1359	1443	-	-		
			BHP	1.4	1.5	1.59	1.69	1.79	1.89	2.1	-	-		
			Sones	34	35	36	37	38	40	42	-	-		
	2850	2664	RPM	1175	1221	1265	1307	1349	1390	-	-	-		
			BHP	1.56	1.65	1.75	1.85	1.95	2.06	-	-	-		
			Sones	35	37	38	39	40	41	-	-	-		
	2950	2757	RPM	1213	1257	1300	1341	-	-	-	-	-		
			BHP	1.72	1.82	1.92	2.02	-	-	-	-	-		
			Sones	37	39	40	41	-	-	-	-	-		
	3050	2850	RPM	1251	1294	1336	-	-	-	-	-	-		
			BHP	1.89	2	2.1	-	-	-	-	-	-		
			Sones	39	41	42	-	-	-	-	-	-		



S&P USA Ventilation Systems, LLC., Div. of Soler & Palau Ventilation Group, certifies that the Models KSF shown herein are licensed to bear the AMCA Seal. The ratings shown are based on test and procedures performed in accordance with AMCA Publication 211 and AMCA Publication 311 and comply with the requirement of the AMCA Certified Ratings Program.



Performance certified is for installation type B: free inlet, ducted outlet. Power rating (BHP) does not include transmission losses. Performance ratings do not include the effects of appurtenances (accessories). The sound ratings shown are loudness values in fan sones at a distance of 1.5 m (5 ft) in a hemispherical free field calculated per AMCA International Standard 301. Values shown are for installation type B: ducted outlet hemispherical sone levels. Ratings do not include the effect of duct end correction.

KSF12

MODEL KSF	CFM	OV		Static Pressure in Inches w.g.									
				1/8	1/4	3/8	1/2	5/8	3/4	1	1 1/4	1 1/2	
12	1150	767	RPM	378	495	-	-	-	-	-	-	-	-
			BHP	0.1	0.17	-	-	-	-	-	-	-	-
			Sones	3.5	5.9	-	-	-	-	-	-	-	-
	1350	900	RPM	404	508	604	-	-	-	-	-	-	-
			BHP	0.13	0.21	0.3	-	-	-	-	-	-	-
			Sones	4.1	6.3	8.9	-	-	-	-	-	-	-
	1600	1067	RPM	444	532	618	-	-	-	-	-	-	-
			BHP	0.2	0.27	0.36	-	-	-	-	-	-	-
			Sones	5.6	6.9	9.3	-	-	-	-	-	-	-
	1800	1200	RPM	479	556	635	711	-	-	-	-	-	-
			BHP	0.26	0.34	0.43	0.54	-	-	-	-	-	-
			Sones	6.9	7.6	9.7	11.9	-	-	-	-	-	-
2000	1333	RPM	516	585	656	726	794	-	-	-	-	-	
		BHP	0.34	0.42	0.51	0.62	0.75	-	-	-	-	-	
		Sones	8.3	8.7	10.3	12.4	14.6	-	-	-	-	-	
2200	1467	RPM	555	617	681	745	808	870	-	-	-	-	
		BHP	0.43	0.52	0.62	0.73	0.85	0.99	-	-	-	-	
		Sones	9.9	10.1	10.9	13.1	15.2	17.3	-	-	-	-	
2400	1600	RPM	594	651	709	768	827	885	-	-	-	-	
		BHP	0.54	0.63	0.74	0.85	0.97	1.11	-	-	-	-	
		Sones	11.6	11.5	12.3	13.9	15.9	17.8	-	-	-	-	
2600	1733	RPM	635	687	740	794	849	903	1009	-	-	-	
		BHP	0.67	0.77	0.88	0.99	1.12	1.26	1.57	-	-	-	
		Sones	13.4	13.2	13.8	14.8	16.6	18.4	22	-	-	-	
2700	1800	RPM	655	705	757	808	861	913	1016	1114	-	-	
		BHP	0.75	0.85	0.96	1.07	1.2	1.34	1.65	1.99	-	-	
		Sones	14.3	14.1	14.7	15.6	17.1	18.8	23	27	-	-	
2800	1867	RPM	676	724	773	823	874	924	1024	1120	1212	-	
		BHP	0.83	0.93	1.04	1.16	1.29	1.43	1.74	2.08	2.46	-	
		Sones	15.2	15.1	15.5	16.3	17.5	19.2	23	27	31	-	
2900	1933	RPM	697	743	790	839	887	936	1033	1127	1218	-	
		BHP	0.91	1.02	1.13	1.25	1.38	1.52	1.83	2.18	2.56	-	
		Sones	16.1	16.1	16.4	17.1	18.1	19.7	24	27	31	-	
3000	2000	RPM	718	762	808	854	901	948	1042	1134	1223	-	
		BHP	1	1.11	1.22	1.35	1.48	1.62	1.93	2.28	2.67	-	
		Sones	17.1	16.9	17.3	17.9	18.7	20	24	28	32	-	
3100	2067	RPM	739	782	826	871	916	961	1053	1142	1230	-	
		BHP	1.1	1.21	1.33	1.45	1.59	1.73	2.04	2.39	2.78	-	
		Sones	18.2	17.9	18.1	18.7	19.5	21	24	28	32	-	
3200	2133	RPM	760	802	844	887	931	975	1063	1151	1236	-	
		BHP	1.2	1.31	1.43	1.56	1.7	1.84	2.16	2.51	2.89	-	
		Sones	19.2	19.1	19.1	19.4	20	21	25	29	32	-	
3400	2267	RPM	803	842	881	922	962	1004	1087	1170	-	-	
		BHP	1.42	1.54	1.67	1.8	1.94	2.09	2.41	2.76	-	-	
		Sones	21	21	21	22	22	23	26	29	-	-	
3600	2400	RPM	845	882	919	957	996	1035	1113	1191	-	-	
		BHP	1.67	1.8	1.93	2.07	2.21	2.37	2.69	3.05	-	-	
		Sones	23	23	23	24	24	25	27	30	-	-	
3800	2533	RPM	888	923	958	994	1030	1067	1141	-	-	-	
		BHP	1.95	2.09	2.22	2.37	2.51	2.67	3	-	-	-	
		Sones	26	25	25	26	26	27	28	-	-	-	
4000	2667	RPM	931	964	998	1032	1066	1100	-	-	-	-	
		BHP	2.26	2.4	2.55	2.69	2.85	3.01	-	-	-	-	
		Sones	28	28	27	28	28	29	-	-	-	-	
4200	2800	RPM	975	1006	1038	1070	-	-	-	-	-	-	
		BHP	2.61	2.75	2.9	3.05	-	-	-	-	-	-	
		Sones	30	30	30	30	-	-	-	-	-	-	
4400	2933	RPM	1018	1048	-	-	-	-	-	-	-	-	
		BHP	2.98	3.13	-	-	-	-	-	-	-	-	
		Sones	32	32	-	-	-	-	-	-	-	-	



S&P USA Ventilation Systems, LLC., Div. of Soler & Palau Ventilation Group, certifies that the Models KSF shown herein are licensed to bear the AMCA Seal. The ratings shown are based on test and procedures performed in accordance with AMCA Publication 211 and AMCA Publication 311 and comply with the requirement of the AMCA Certified Ratings Program.



Performance certified is for installation type B: free inlet, ducted outlet. Power rating (BHP) does not include transmission losses. Performance ratings do not include the effects of appurtenances (accessories). The sound ratings shown are loudness values in fan sones at a distance of 1.5 m (5 ft) in a hemispherical free field calculated per AMCA International Standard 301. Values shown are for installation type B: ducted outlet hemispherical sone levels. Ratings do not include the effect of duct end correction.



KSF15

MODEL KSF	CFM	OV		Static Pressure in Inches w.g.											
				1/8	1/4	3/8	1/2	5/8	3/4	1	1 1/4	1 1/2	2		
15	1625	763	RPM	355	441	517	-	-	-	-	-	-	-	-	-
			BHP	0.12	0.18	0.25	-	-	-	-	-	-	-	-	-
			Sones	5.3	6.5	8.1	-	-	-	-	-	-	-	-	-
	2025	951	RPM	403	475	543	606	-	-	-	-	-	-	-	-
			BHP	0.19	0.26	0.34	0.43	-	-	-	-	-	-	-	-
			Sones	7.7	8.2	9.3	10.6	-	-	-	-	-	-	-	-
	2425	1138	RPM	456	517	576	633	688	-	-	-	-	-	-	-
			BHP	0.29	0.37	0.46	0.56	0.66	-	-	-	-	-	-	-
			Sones	9.9	10.4	11.1	12.1	13.4	-	-	-	-	-	-	-
	2825	1326	RPM	512	565	617	668	717	765	-	-	-	-	-	-
			BHP	0.44	0.52	0.62	0.72	0.83	0.95	-	-	-	-	-	-
			Sones	12.4	13.3	13.6	14.3	15.3	16.5	-	-	-	-	-	-
	3230	1516	RPM	572	617	663	708	753	797	-	-	-	-	-	-
			BHP	0.62	0.72	0.82	0.93	1.05	1.17	-	-	-	-	-	-
			Sones	15.1	15.9	16.5	16.9	17.8	18.7	-	-	-	-	-	-
3640	1709	RPM	633	674	714	755	795	835	913	-	-	-	-	-	
		BHP	0.87	0.97	1.08	1.2	1.32	1.45	1.73	-	-	-	-	-	
		Sones	18.2	19.1	20	21	21	22	23	-	-	-	-	-	
3840	1803	RPM	664	702	741	779	817	855	930	1002	-	-	-	-	
		BHP	1.01	1.11	1.23	1.35	1.48	1.61	1.9	2.21	-	-	-	-	
		Sones	19.9	21	22	22	22	23	24	26	-	-	-	-	
4045	1899	RPM	695	731	768	805	841	877	949	1018	1085	-	-	-	
		BHP	1.16	1.27	1.39	1.52	1.65	1.79	2.08	2.4	2.73	-	-	-	
		Sones	22	22	23	24	24	25	26	27	29	-	-	-	
4245	1993	RPM	726	761	795	830	865	900	968	1035	1100	1224	-	-	
		BHP	1.33	1.45	1.57	1.7	1.84	1.98	2.28	2.6	2.94	3.66	-	-	
		Sones	24	24	25	26	26	26	27	28	30	35	-	-	
4445	2087	RPM	757	790	823	857	890	923	989	1053	1117	1237	-	-	
		BHP	1.52	1.64	1.77	1.9	2.04	2.18	2.49	2.82	3.17	3.9	-	-	
		Sones	25	26	26	27	28	28	28	30	31	36	-	-	
4645	2181	RPM	788	820	851	883	915	947	1010	1073	1134	1251	-	-	
		BHP	1.72	1.85	1.98	2.11	2.26	2.41	2.72	3.06	3.41	4.17	-	-	
		Sones	27	27	28	29	29	30	30	31	33	37	-	-	
4850	2277	RPM	820	850	881	911	942	972	1033	1093	1152	1267	-	-	
		BHP	1.95	2.08	2.21	2.35	2.5	2.66	2.98	3.32	3.68	4.45	-	-	
		Sones	28	29	30	30	31	32	32	33	34	38	-	-	
5050	2371	RPM	851	880	910	939	968	998	1056	1114	1171	1283	-	-	
		BHP	2.19	2.32	2.46	2.61	2.76	2.92	3.25	3.6	3.97	4.75	-	-	
		Sones	30	31	31	32	33	34	34	35	36	40	-	-	
5200	2441	RPM	875	903	932	960	989	1017	1074	1130	1186	1295	-	-	
		BHP	2.38	2.52	2.66	2.81	2.96	3.12	3.46	3.82	4.19	4.99	-	-	
		Sones	32	32	33	33	34	35	35	36	37	41	-	-	
5400	2535	RPM	907	934	961	988	1016	1043	1098	1153	1206	-	-	-	
		BHP	2.66	2.8	2.94	3.1	3.26	3.42	3.76	4.13	4.51	-	-	-	
		Sones	33	34	34	35	36	37	37	38	39	-	-	-	
5600	2629	RPM	938	964	991	1017	1043	1070	1123	1175	1228	-	-	-	
		BHP	2.95	3.1	3.25	3.41	3.57	3.74	4.09	4.46	4.85	-	-	-	
		Sones	35	36	36	37	37	38	39	40	41	-	-	-	
5800	2723	RPM	970	995	1020	1046	1071	1097	1148	1199	-	-	-	-	
		BHP	3.27	3.42	3.58	3.74	3.9	4.07	4.43	4.81	-	-	-	-	
		Sones	37	38	38	39	40	40	42	42	-	-	-	-	
6000	2817	RPM	1001	1026	1050	1075	1100	1124	1174	-	-	-	-	-	
		BHP	3.61	3.76	3.92	4.09	4.26	4.44	4.8	-	-	-	-	-	
		Sones	39	40	40	41	41	42	44	-	-	-	-	-	
6400	3005	RPM	1065	1088	1111	1134	1157	-	-	-	-	-	-	-	
		BHP	4.36	4.52	4.69	4.86	5.04	-	-	-	-	-	-	-	
		Sones	44	44	45	45	46	-	-	-	-	-	-	-	



S&P USA Ventilation Systems, LLC., Div. of Soler & Palau Ventilation Group, certifies that the Models KSF shown herein are licensed to bear the AMCA Seal. The ratings shown are based on test and procedures performed in accordance with AMCA Publication 211 and AMCA Publication 311 and comply with the requirement of the AMCA Certified Ratings Program.



Performance certified is for installation type B: free inlet, ducted outlet. Power rating (BHP) does not include transmission losses. Performance ratings do not include the effects of appurtenances (accessories). The sound ratings shown are loudness values in fan sones at a distance of 1.5 m (5 ft) in a hemispherical free field calculated per AMCA International Standard 301. Values shown are for installation type B: ducted outlet hemispherical sone levels. Ratings do not include the effect of duct end correction.



KSF18

MODEL KSF	CFM	OV		Static Pressure in Inches w.g.											
				1/8	1/4	3/8	1/2	5/8	3/4	1	1 1/4	1 1/2	2		
18	2200	748	RPM	324	386	-	-	-	-	-	-	-	-	-	-
			BHP	0.15	0.21	-	-	-	-	-	-	-	-	-	-
			Sones	5.3	6.6	-	-	-	-	-	-	-	-	-	-
	2400	816	RPM	341	400	454	-	-	-	-	-	-	-	-	-
			BHP	0.18	0.25	0.32	-	-	-	-	-	-	-	-	-
			Sones	5.9	7.2	8.8	-	-	-	-	-	-	-	-	-
	2800	952	RPM	379	431	480	526	570	611	-	-	-	-	-	-
			BHP	0.26	0.33	0.41	0.5	0.6	0.7	-	-	-	-	-	-
			Sones	7.5	8.4	9.9	11.8	13.9	15.8	-	-	-	-	-	-
	3000	1020	RPM	398	448	495	539	581	621	696	-	-	-	-	-
			BHP	0.31	0.38	0.47	0.56	0.66	0.76	0.99	-	-	-	-	-
			Sones	8.3	9.2	10.5	12.4	14.4	16.6	19.7	-	-	-	-	-
	3400	1156	RPM	438	483	526	566	605	643	714	780	842	-	-	-
			BHP	0.42	0.51	0.6	0.7	0.8	0.91	1.15	1.4	1.68	-	-	-
			Sones	10.1	10.9	11.9	13.5	15.5	17.6	21	24	27	-	-	-
	3600	1224	RPM	458	502	542	581	619	655	724	789	849	961	-	-
			BHP	0.49	0.58	0.67	0.78	0.88	0.99	1.24	1.5	1.78	2.38	-	-
			Sones	10.9	11.8	12.7	14.2	16.1	18.1	22	25	27	33	-	-
4200	1429	RPM	520	559	595	630	664	696	759	819	876	983	-	-	
		BHP	0.74	0.84	0.95	1.06	1.18	1.3	1.56	1.83	2.13	2.77	-	-	
		Sones	14.1	14.9	15.7	16.9	18.4	19.8	23	26	30	36	-	-	
4600	1565	RPM	562	599	632	665	696	727	786	842	897	999	-	-	
		BHP	0.95	1.06	1.18	1.3	1.42	1.55	1.82	2.1	2.41	3.07	-	-	
		Sones	16.2	17.1	17.8	18.9	19.9	21	25	27	31	37	-	-	
5200	1769	RPM	626	659	690	720	749	776	830	883	933	1029	-	-	
		BHP	1.34	1.47	1.59	1.73	1.86	2	2.28	2.59	2.91	3.6	-	-	
		Sones	19.9	21	22	22	23	24	27	29	33	39	-	-	
5400	1837	RPM	648	680	710	739	767	794	846	897	946	1041	-	-	
		BHP	1.49	1.62	1.75	1.89	2.03	2.17	2.46	2.77	3.1	3.8	-	-	
		Sones	21	22	23	24	24	25	27	30	34	40	-	-	
5800	1973	RPM	691	721	750	777	803	829	879	927	974	1064	-	-	
		BHP	1.82	1.96	2.11	2.25	2.4	2.55	2.86	3.18	3.52	4.24	-	-	
		Sones	24	24	25	26	26	27	29	32	35	41	-	-	
6000	2041	RPM	713	742	770	796	822	847	896	943	989	1077	-	-	
		BHP	2	2.15	2.3	2.45	2.6	2.75	3.07	3.4	3.74	4.47	-	-	
		Sones	25	25	26	27	28	29	30	33	36	42	-	-	
6400	2177	RPM	756	784	810	836	861	885	931	976	1020	1104	-	-	
		BHP	2.41	2.57	2.73	2.89	3.05	3.21	3.54	3.88	4.24	4.99	-	-	
		Sones	27	28	28	29	30	31	33	34	37	44	-	-	
6600	2245	RPM	778	805	831	856	880	903	949	993	1035	1118	-	-	
		BHP	2.63	2.8	2.96	3.12	3.29	3.45	3.79	4.14	4.51	5.27	-	-	
		Sones	28	29	30	31	32	32	34	36	38	45	-	-	
7000	2381	RPM	822	848	872	896	919	942	985	1027	1068	1147	-	-	
		BHP	3.11	3.29	3.47	3.64	3.81	3.99	4.35	4.71	5.09	5.88	-	-	
		Sones	31	32	33	33	34	35	37	38	40	46	-	-	
7200	2449	RPM	844	869	893	917	939	961	1004	1045	1085	1163	-	-	
		BHP	3.38	3.56	3.74	3.92	4.1	4.28	4.64	5.02	5.4	6.2	-	-	
		Sones	33	33	34	35	36	37	38	40	41	47	-	-	
7600	2585	RPM	888	912	935	958	979	1000	1041	1081	1119	1194	-	-	
		BHP	3.95	4.14	4.33	4.52	4.71	4.9	5.28	5.67	6.07	6.9	-	-	
		Sones	36	36	37	38	39	39	41	43	45	50	-	-	
7800	2653	RPM	910	934	956	978	999	1020	1060	1099	1137	1210	-	-	
		BHP	4.26	4.46	4.65	4.85	5.04	5.24	5.63	6.03	6.43	7.27	-	-	
		Sones	37	38	39	40	40	41	43	44	46	51	-	-	
8400	2857	RPM	977	999	1020	1040	1061	1080	1118	1155	1191	-	-	-	
		BHP	5.29	5.5	5.71	5.92	6.13	6.34	6.76	7.18	7.61	-	-	-	
		Sones	42	43	44	44	45	46	48	49	51	-	-	-	
8800	2993	RPM	1021	1042	1063	1082	1102	1121	1157	-	-	-	-	-	
		BHP	6.06	6.28	6.5	6.72	6.94	7.16	7.6	-	-	-	-	-	
		Sones	46	47	48	48	49	50	52	-	-	-	-	-	
9200	3129	RPM	1066	1086	1106	1125	-	-	-	-	-	-	-	-	
		BHP	6.9	7.13	7.36	7.6	-	-	-	-	-	-	-	-	
		Sones	49	50	51	52	-	-	-	-	-	-	-	-	



S&P USA Ventilation Systems, LLC., Div. of Soler & Palau Ventilation Group, certifies that the Models KSF shown herein are licensed to bear the AMCA Seal. The ratings shown are based on test and procedures performed in accordance with AMCA Publication 211 and AMCA Publication 311 and comply with the requirement of the AMCA Certified Ratings Program.



Performance certified is for installation type B: free inlet, ducted outlet. Power rating (BHP) does not include transmission losses. Performance ratings do not include the effects of appurtenances (accessories). The sound ratings shown are loudness values in fan sones at a distance of 1.5 m (5 ft) in a hemispherical free field calculated per AMCA International Standard 301. Values shown are for installation type B: ducted outlet hemispherical sone levels. Ratings do not include the effect of duct end correction.



KSF20

MODEL KSF	CFM	OV		Static Pressure in Inches w.g.										
				1/8	1/4	3/8	1/2	5/8	3/4	1	1 1/4	1 1/2	2	
20	2600	652	RPM	245	307	359	-	-	-	-	-	-	-	-
			BHP	0.14	0.23	0.32	-	-	-	-	-	-	-	-
			Sones	4.1	5.8	7.4	-	-	-	-	-	-	-	-
	3000	752	RPM	263	321	371	415	455	-	-	-	-	-	-
			BHP	0.19	0.28	0.38	0.49	0.59	-	-	-	-	-	-
			Sones	4.8	6.3	7.9	9.4	11.1	-	-	-	-	-	-
	3400	852	RPM	282	336	384	426	465	501	-	-	-	-	-
			BHP	0.25	0.35	0.46	0.57	0.69	0.81	-	-	-	-	-
			Sones	5.6	6.9	8.4	9.9	11.5	12.9	-	-	-	-	-
	3800	952	RPM	302	352	398	439	477	512	575	632	684	776	
			BHP	0.33	0.44	0.55	0.68	0.8	0.93	1.2	1.48	1.77	2.37	
			Sones	6.4	7.6	9.1	10.5	12.1	13.4	16.1	18.7	21	26	
	4600	1153	RPM	346	389	429	467	502	536	597	652	703	795	
			BHP	0.53	0.65	0.79	0.92	1.07	1.22	1.53	1.85	2.18	2.86	
			Sones	8.3	9.4	10.5	11.8	13.1	14.5	17.1	19.7	22	27	
	5000	1253	RPM	368	409	447	483	517	549	609	663	714	804	
			BHP	0.66	0.79	0.93	1.08	1.23	1.39	1.72	2.06	2.41	3.13	
			Sones	9.3	10.3	11.4	12.7	13.8	15.2	17.8	21	23	27	
	5400	1353	RPM	391	429	465	499	532	563	621	675	724	814	
			BHP	0.8	0.94	1.09	1.25	1.41	1.58	1.93	2.28	2.66	3.42	
Sones			10.4	11.3	12.4	13.5	14.6	15.7	18.4	21	23	28		
5800	1454	RPM	415	450	484	517	548	578	635	687	736	825		
		BHP	0.97	1.12	1.28	1.44	1.61	1.79	2.15	2.53	2.92	3.73		
		Sones	11.6	12.5	13.4	14.5	15.5	16.5	19.1	22	24	29		
6600	1654	RPM	462	494	525	555	583	611	664	714	760	847		
		BHP	1.39	1.55	1.72	1.9	2.09	2.28	2.68	3.1	3.53	4.41		
		Sones	14.1	14.9	15.7	16.7	17.6	18.6	21	23	25	30		
7000	1754	RPM	486	517	546	574	602	629	680	728	774	859		
		BHP	1.64	1.81	1.99	2.18	2.37	2.57	2.99	3.42	3.87	4.79		
		Sones	15.4	16.1	16.9	17.8	18.8	19.7	22	24	26	31		
7400	1855	RPM	511	539	567	595	621	647	696	743	788	871		
		BHP	1.91	2.09	2.28	2.48	2.68	2.89	3.32	3.77	4.23	5.19		
		Sones	16.7	17.5	18.2	19.1	19.9	21	23	25	27	31		
8200	2055	RPM	560	586	612	637	661	685	731	775	818	897		
		BHP	2.56	2.75	2.96	3.17	3.39	3.61	4.08	4.56	5.06	6.09		
		Sones	19.6	21	21	22	23	24	25	27	29	33		
8600	2155	RPM	585	610	634	658	682	705	749	792	834	912		
		BHP	2.93	3.13	3.35	3.57	3.79	4.03	4.51	5.01	5.52	6.59		
		Sones	21	22	23	23	24	25	27	28	30	34		
9200	2306	RPM	622	646	669	691	714	735	778	819	858	934		
		BHP	3.56	3.77	4	4.23	4.47	4.71	5.22	5.74	6.28	7.4		
		Sones	24	24	25	26	26	27	29	30	32	35		
9600	2406	RPM	647	670	692	714	735	756	797	837	876	949		
		BHP	4.02	4.25	4.48	4.72	4.97	5.22	5.74	6.28	6.83	7.99		
		Sones	26	26	27	27	28	29	30	32	33	36		
10000	2506	RPM	672	694	715	736	757	777	817	856	893	965		
		BHP	4.52	4.76	5	5.25	5.5	5.76	6.3	6.85	7.43	8.61		
		Sones	27	28	28	29	29	30	32	33	35	38		
10800	2707	RPM	722	743	763	782	802	821	858	895	930	999		
		BHP	5.66	5.91	6.17	6.43	6.7	6.98	7.55	8.13	8.74	9.99		
		Sones	30	31	32	32	33	34	35	36	38	41		
11200	2807	RPM	748	767	787	806	824	843	879	915	949	-		
		BHP	6.29	6.55	6.82	7.09	7.37	7.65	8.24	8.84	9.46	-		
		Sones	32	33	33	34	35	35	37	38	39	-		
11600	2907	RPM	773	792	811	829	847	865	901	935	-	-		
		BHP	6.97	7.24	7.51	7.79	8.08	8.37	8.97	9.59	-	-		
		Sones	34	35	35	36	36	37	39	40	-	-		
12000	3008	RPM	798	817	835	853	870	888	922	-	-	-		
		BHP	7.7	7.97	8.26	8.55	8.84	9.14	9.76	-	-	-		
		Sones	36	37	37	38	38	39	40	-	-	-		
12200	3058	RPM	811	829	847	865	882	899	-	-	-	-		
		BHP	8.08	8.36	8.65	8.94	9.24	9.54	-	-	-	-		
		Sones	37	38	38	39	40	40	-	-	-	-		



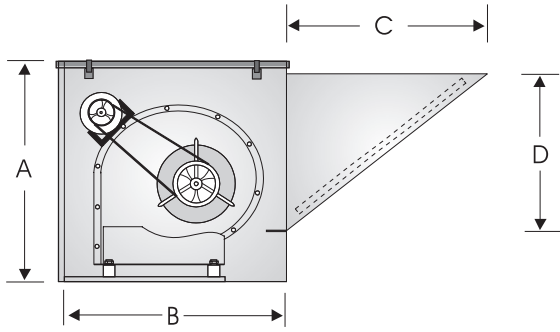
S&P USA Ventilation Systems, LLC., Div. of Soler & Palau Ventilation Group, certifies that the Models KSF shown herein are licensed to bear the AMCA Seal. The ratings shown are based on test and procedures performed in accordance with AMCA Publication 211 and AMCA Publication 311 and comply with the requirement of the AMCA Certified Ratings Program.



Performance certified is for installation type B: free inlet, ducted outlet. Power rating (BHP) does not include transmission losses. Performance ratings do not include the effects of appurtenances (accessories). The sound ratings shown are loudness values in fan sones at a distance of 1.5 m (5 ft) in a hemispherical free field calculated per AMCA International Standard 301. Values shown are for installation type B: ducted outlet hemispherical sone levels. Ratings do not include the effect of duct end correction.



DIMENSIONS



Model Size	Damper OD	Roof Opening	Curb OD	Curb Cap ID	A	B	C	D	Ship Wt
KSF 9	16	19-1/2	22-3/4	24	24-1/4	24-1/2	17-7/8	19	215
KSF 10	20	23-1/2	26-1/2	28	27-3/8	28-1/2	21-1/8	22-1/2	245
KSF 12	24	28	30-1/2	32	32-3/4	32-1/2	26-1/2	27-7/8	255
KSF 15	24	28	30-1/2	32	37-3/8	32-1/2	34-1/4	30-1/8	310
KSF 18	27	32	34-5/8	36	41-3/8	36-1/2	38-1/4	33-3/8	350
KSF 20	42	46-1/2	49	51	49-1/2	51-1/2	37-1/2	38-3/4	650